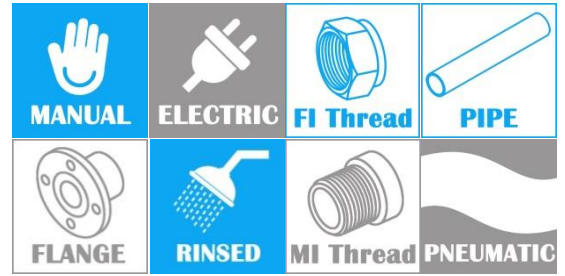
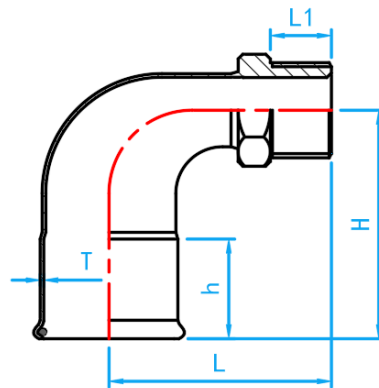


STAINLESS STEEL 316L PRESS FIT FITTINGS (M PROFILE)

COMPLY WITH BSEN1254-2:1998
AS 3688:2005
AS/NZS 4020:2005
ASTM E1086:2014
SS 375:2015
SS 270:2015



MI 90° ELBOW



CROSS SECTIONAL VIEW

DIMENSIONS

SKU	SIZE (mm × inch)	H (mm)	L (mm)	h (mm)	L1 (mm)	T (mm)	WEIGHT (kg)	PCS/CTN
SS316LPFNMIE01515	15 × 1/2" BSPT	42.0	53	20	15	1.5	0.060	300
SS316LPFNMIE02015	22 × 1/2" BSPT	51.0	60	21	15	1.5	0.102	200
SS316LPFNMIE02020	22 × 3/4" BSPT	51.0	61	21	16	1.5	0.131	160
SS316LPFNMIE02515	28 × 1/2" BSPT	60.0	71	23	19	1.5	0.130	100
SS316LPFNMIE02525	28 × 1" BSPT	60.0	78	23	19	1.5	0.198	70
SS316LPFNMIE03515	35 × 1/2" BSPT	72.0	78	26	15	1.5	0.162	50
SS316LPFNMIE03525	35 × 1" BSPT	72.0	80.0	26	19	1.5	0.180	50
SS316LPFNMIE03535	35 × 1 1/4" BSPT	72.0	77	26	21	1.5	0.242	55
SS316LPFNMIE04225	42 × 1" BSPT	85.0	101	26	19	1.5	0.270	50
SS316LPFNMIE04242	42 × 1 1/2" BSPT	85.0	111	31	21	1.5	0.390	33
SS316LPFNMIE05025	54 × 1" BSPT	105.0	114	36	19	1.5	0.376	50
SS316LPFNMIE05050	54 × 2" BSPT	105.0	129	36	26	1.5	0.640	21
SS316LPFNMIE06565	67 × 2 1/2" BSPT	114.0	131.5	50	26	2.0	0.926	12